



US008601623B1

(12) **United States Patent**  
**West**

(10) **Patent No.:** **US 8,601,623 B1**  
(45) **Date of Patent:** **Dec. 10, 2013**

(54) **OPERATING TABLE PATIENT POSITIONER AND METHOD**

(71) Applicant: **Tamra West**, Rochester, NY (US)

(72) Inventor: **Tamra West**, Rochester, NY (US)

(\*) Notice: Subject to any disclaimer, the term of this patent is extended or adjusted under 35 U.S.C. 154(b) by 0 days.

5,515,869 A *	5/1996	Powell et al.	5/628
6,622,324 B2	9/2003	VanSteenburg	
6,860,272 B2 *	3/2005	Carter et al.	128/870
6,966,087 B2 *	11/2005	Robinette	5/625
7,610,641 B2 *	11/2009	Frost	5/628
8,001,635 B2 *	8/2011	Humbles	5/623
8,214,951 B1 *	7/2012	Batta	5/647
2006/0213011 A1 *	9/2006	McLoughlin et al.	5/628
2009/0090370 A1 *	4/2009	Bernstein	128/845
2011/0126355 A1 *	6/2011	Hiebert	5/622
2012/0272451 A1 *	11/2012	Haskell et al.	5/628

\* cited by examiner

(21) Appl. No.: **13/969,483**

(22) Filed: **Aug. 16, 2013**

**Related U.S. Application Data**

(63) Continuation of application No. 12/722,610, filed on Mar. 12, 2010, now Pat. No. 8,539,621.

(60) Provisional application No. 61/215,169, filed on May 4, 2009.

(51) **Int. Cl.**  
**A47B 7/00** (2006.01)

(52) **U.S. Cl.**  
USPC ..... **5/621; 5/623; 5/646; 5/647; 5/628**

(58) **Field of Classification Search**  
USPC ..... **5/621, 623, 646, 647, 628; 128/869-871, 876-878**  
See application file for complete search history.

(56) **References Cited**

**U.S. PATENT DOCUMENTS**

3,933,154 A *	1/1976	Cabansag	128/870
5,211,186 A *	5/1993	Shoemaker et al.	5/628
5,342,290 A *	8/1994	Schuellein	602/36

*Primary Examiner* — Robert G Santos

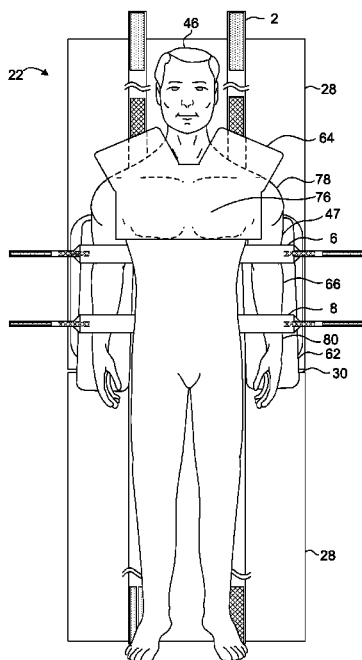
*Assistant Examiner* — David E Sosnowski

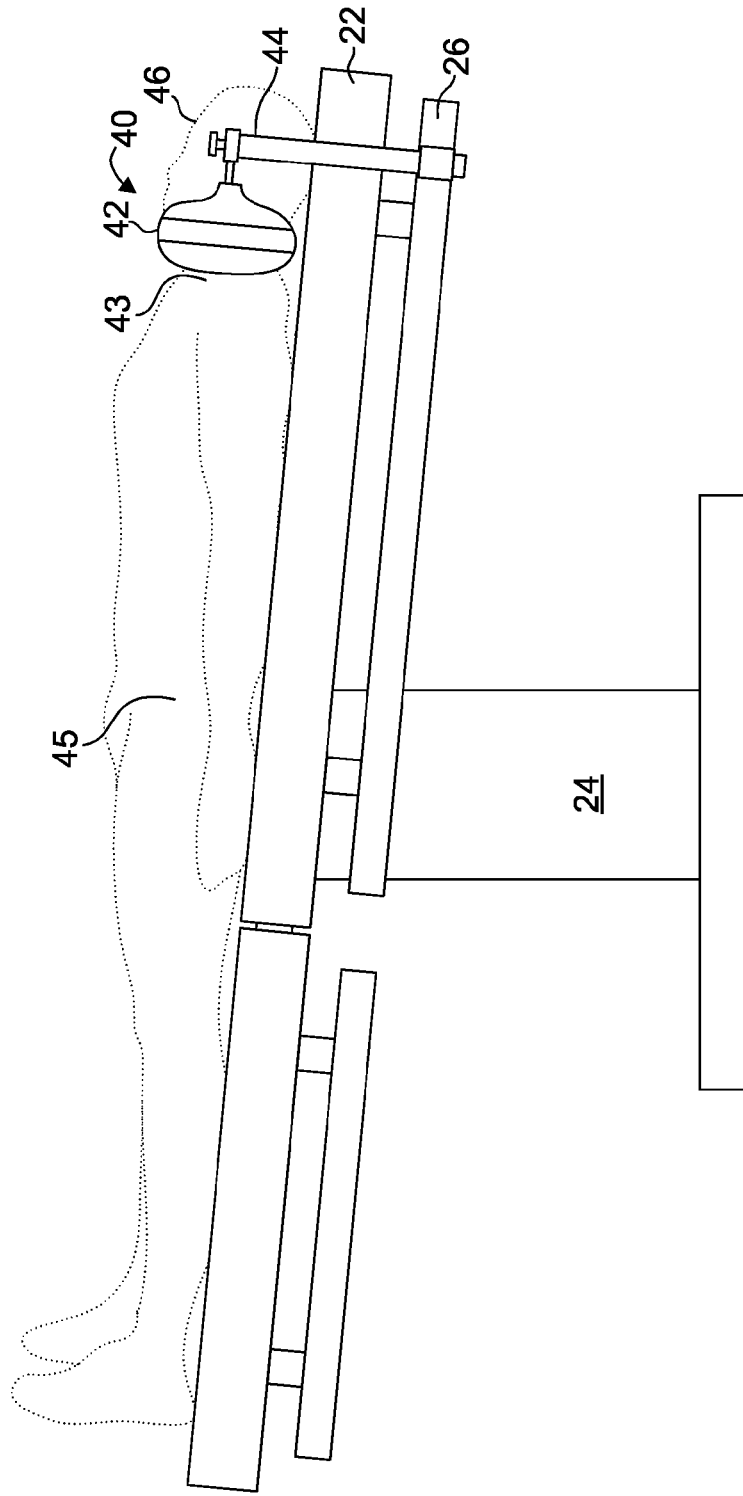
(74) *Attorney, Agent, or Firm* — Tracy Jong Law Firm; Tracy P. Jong; Cheng Ning Jong

(57) **ABSTRACT**

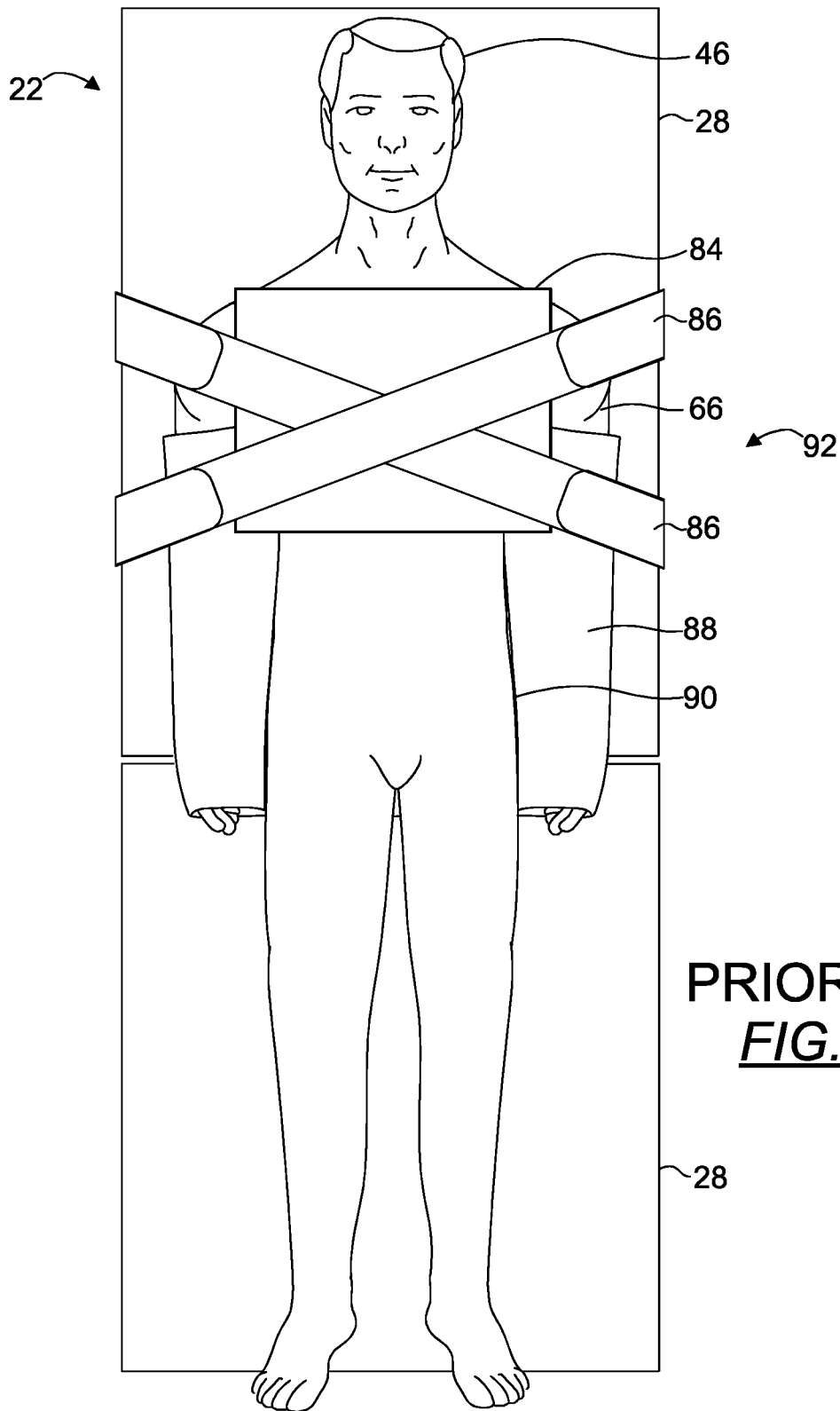
A patient positioner for maintaining a patient's position during a medical procedure including a body anchoring portion placeable atop an operating table, chest straps, support base straps, upper arm straps, wrist straps, a substrate backing substantially concentrically disposed on and fixedly attached to the body anchoring portion. In use, the body anchoring portion is positioned under the patient's torso with a portion of the substrate backing wrapped over each of the patient's arms while the chest straps are brought over the patient's shoulders and criss-crossed over the patient's chest and secured on an opposing side rail. The upper arm and wrist straps are brought from underneath the patient's torso and wrapped over the patient's arms. The support base straps are placed through a break of the operating table and brought around the support base and secured to each other to prevent the patient from sliding in the Trendelenburg position.

**1 Claim, 10 Drawing Sheets**

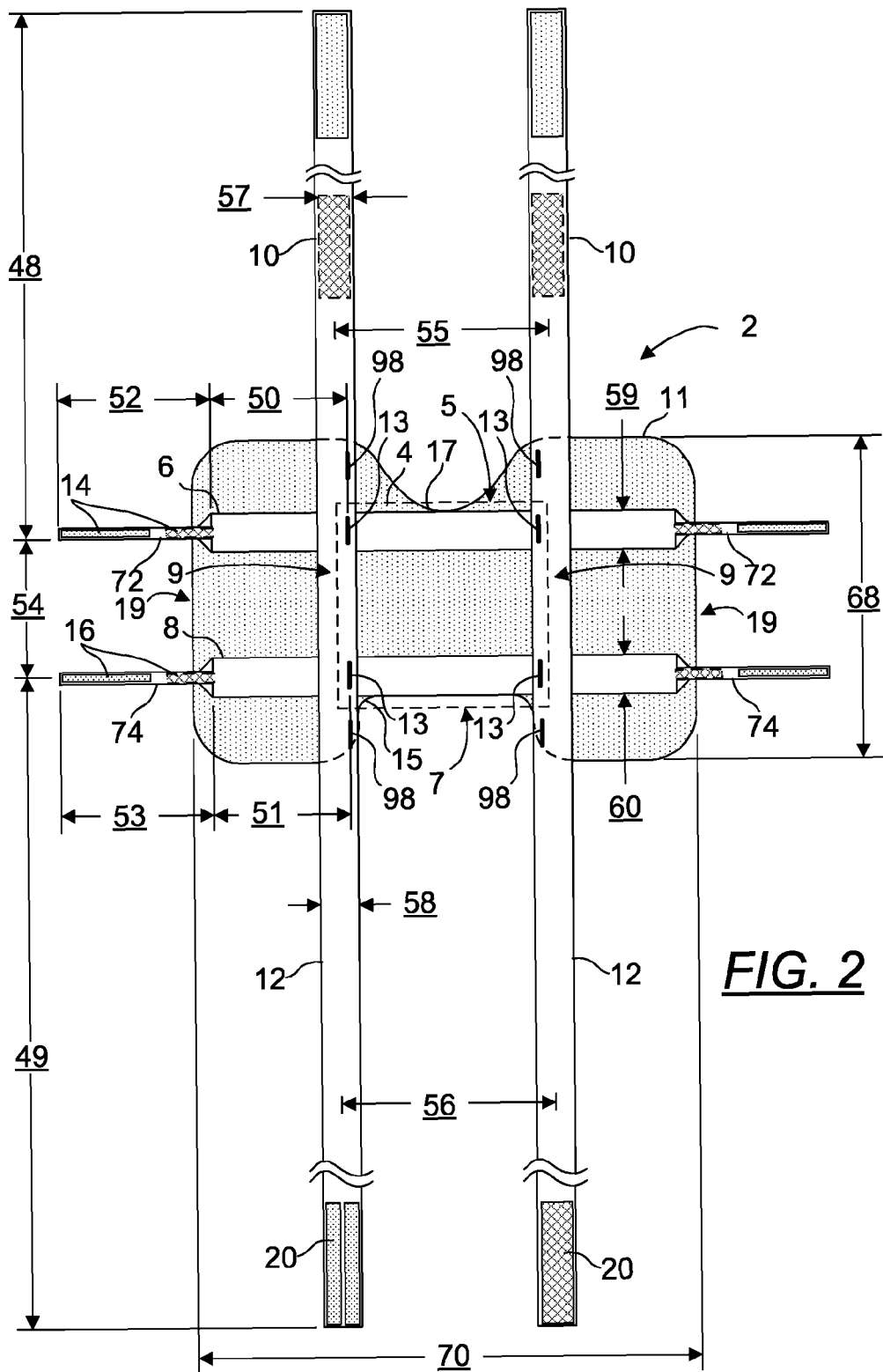




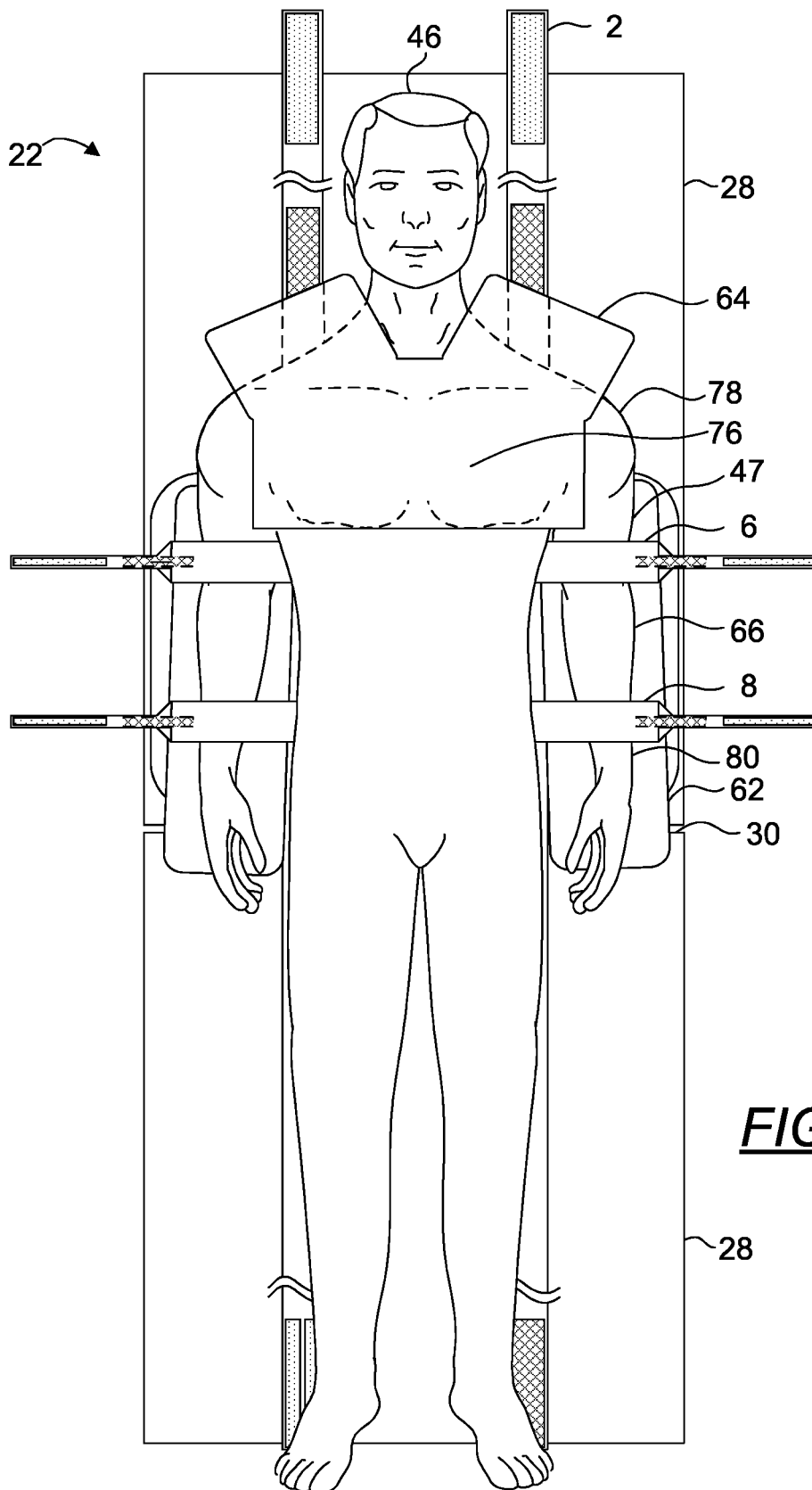
PRIOR ART  
FIG. 1



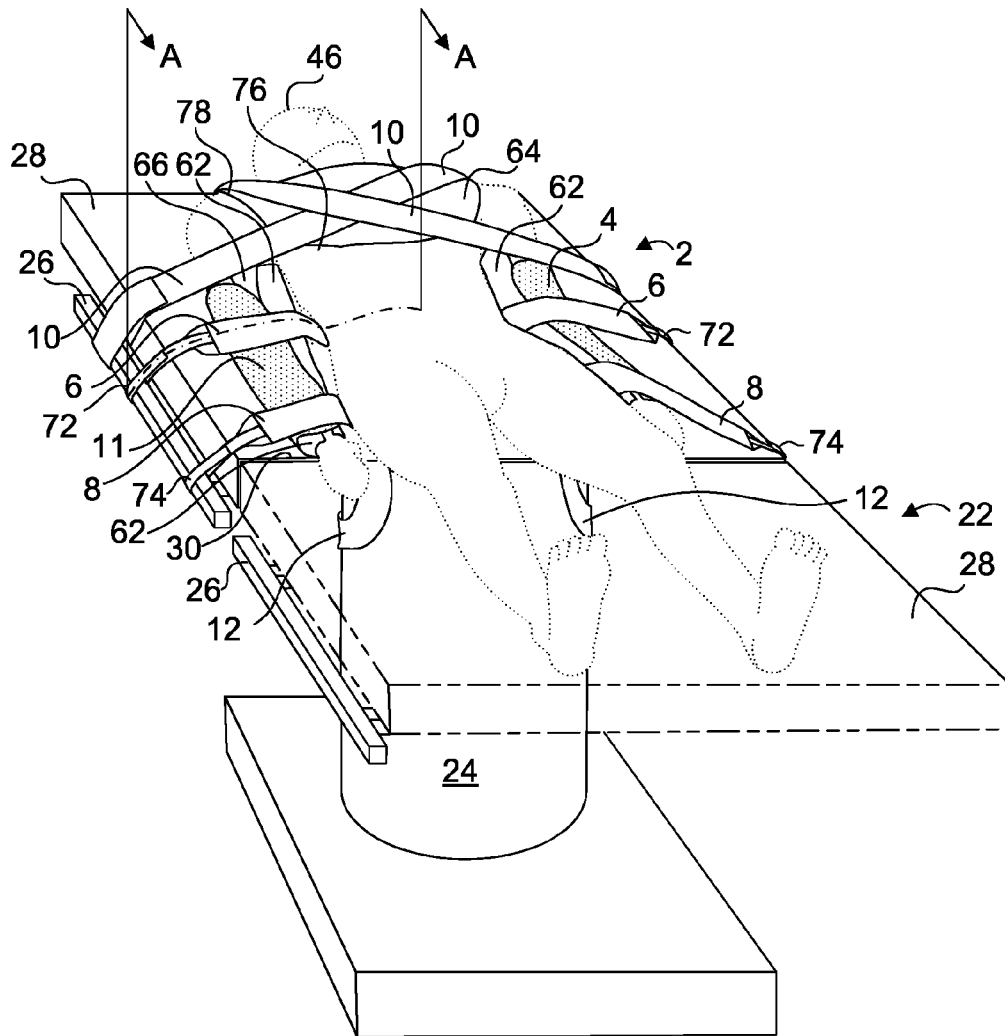
PRIOR ART  
FIG. 1A



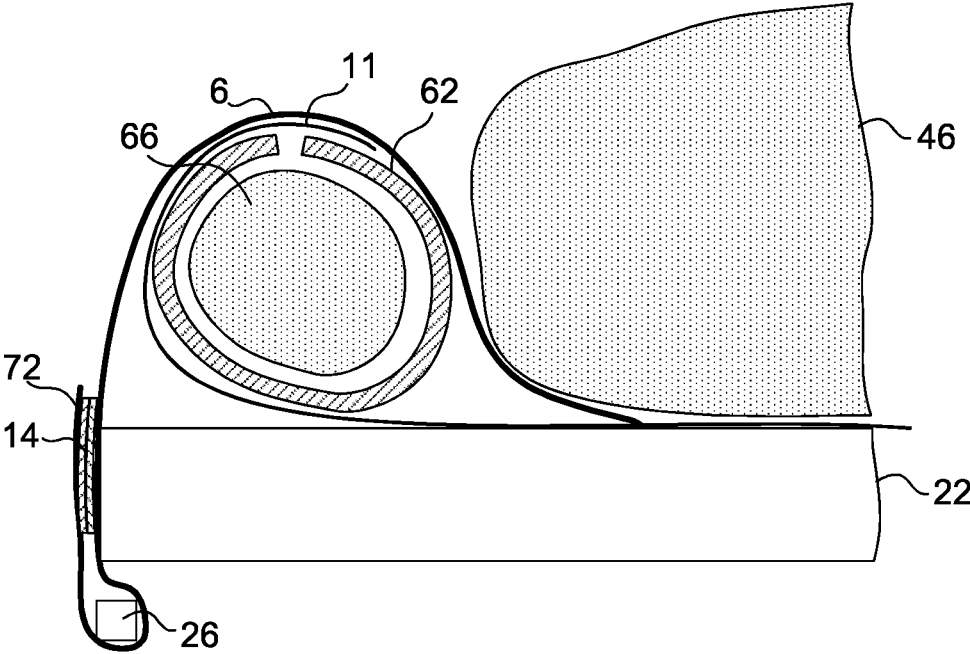
**FIG. 2**



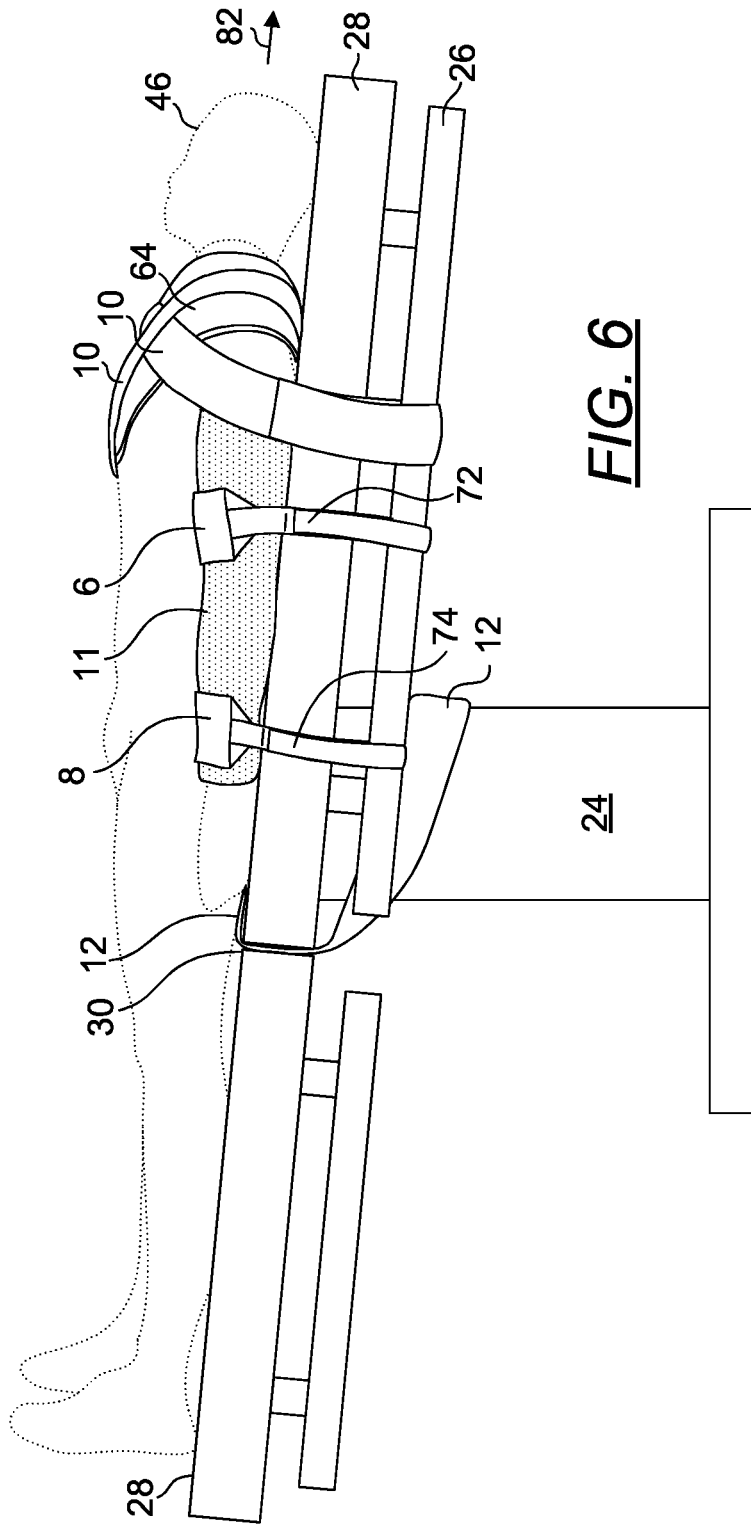
**FIG. 3**



**FIG. 4**

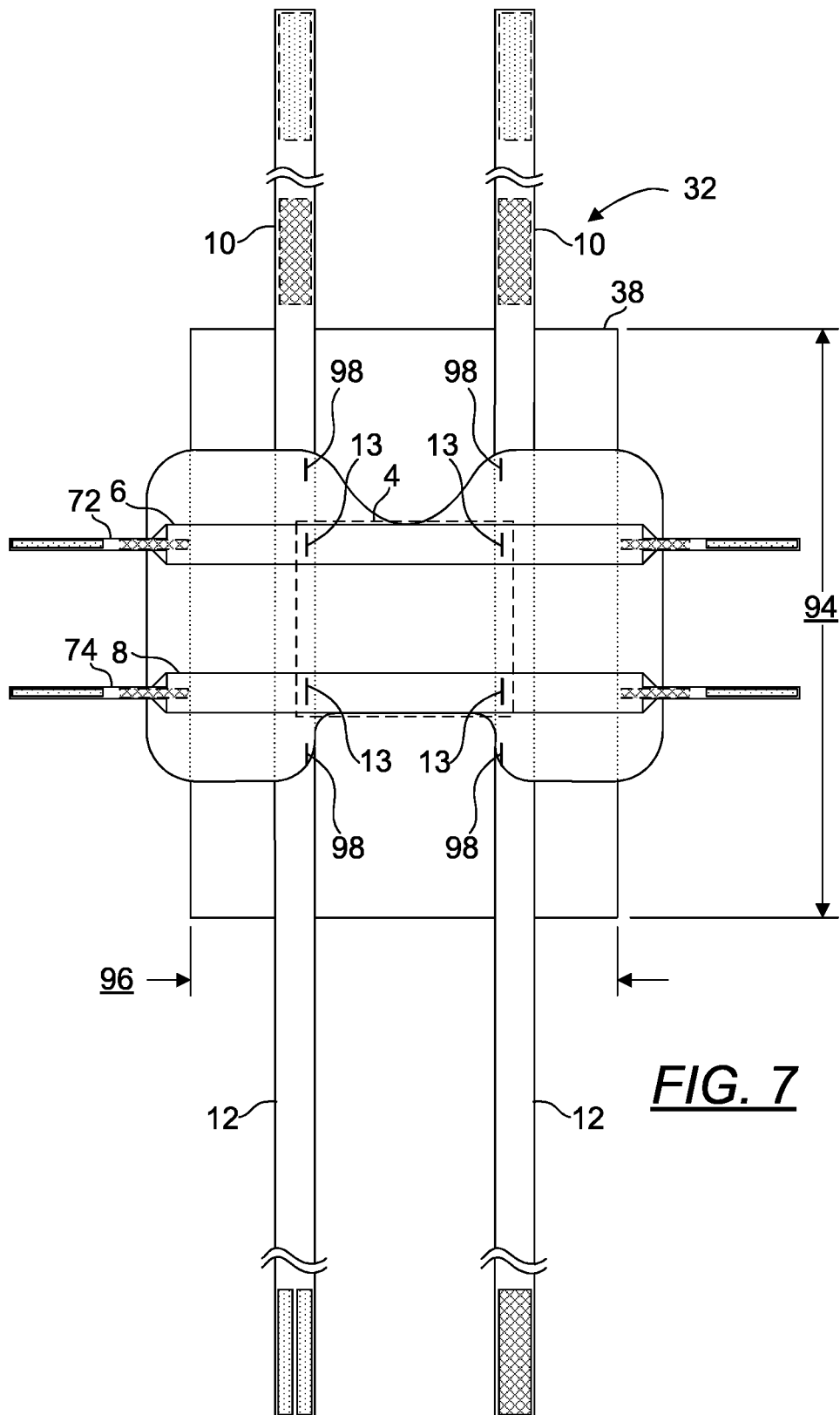


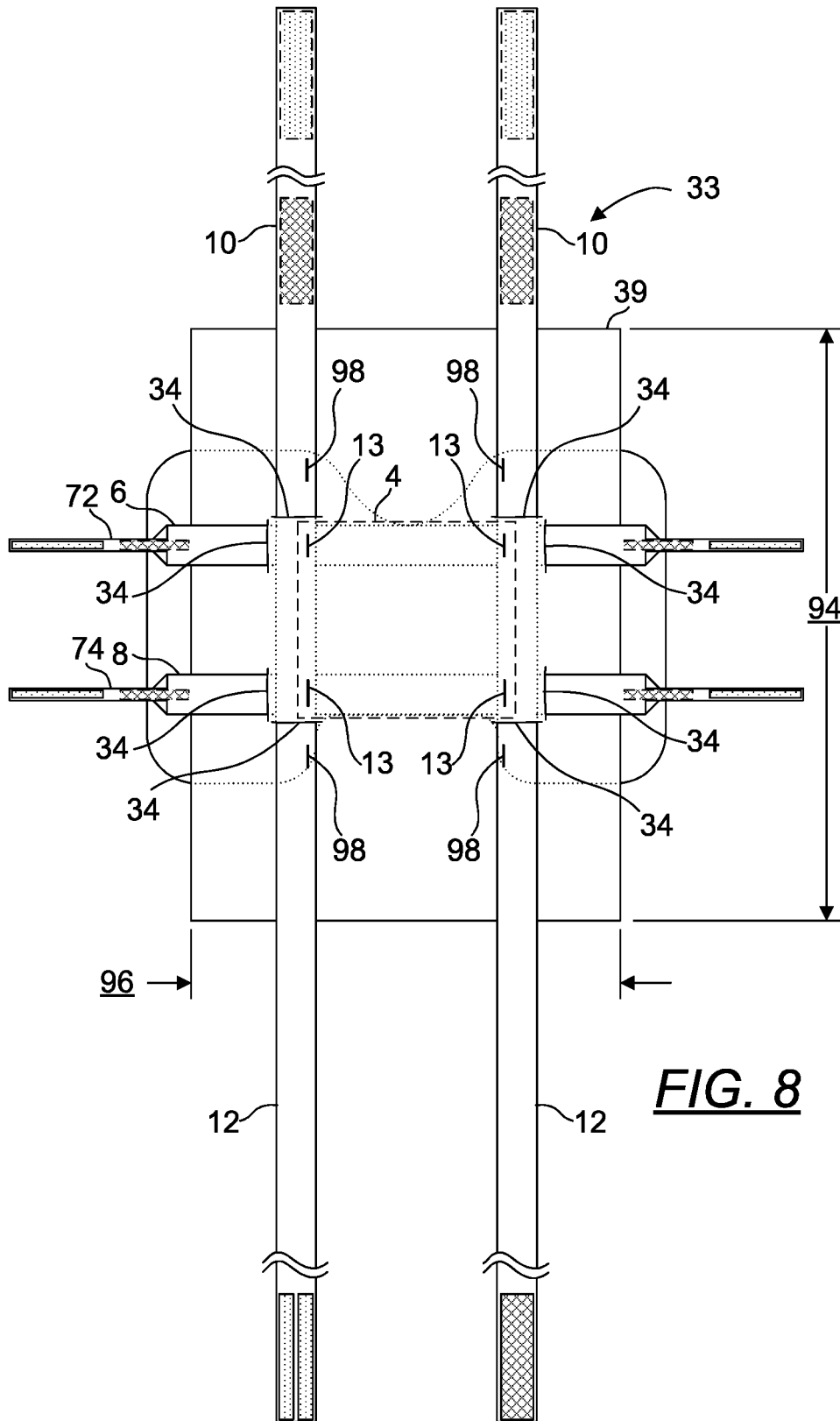
**FIG. 5**



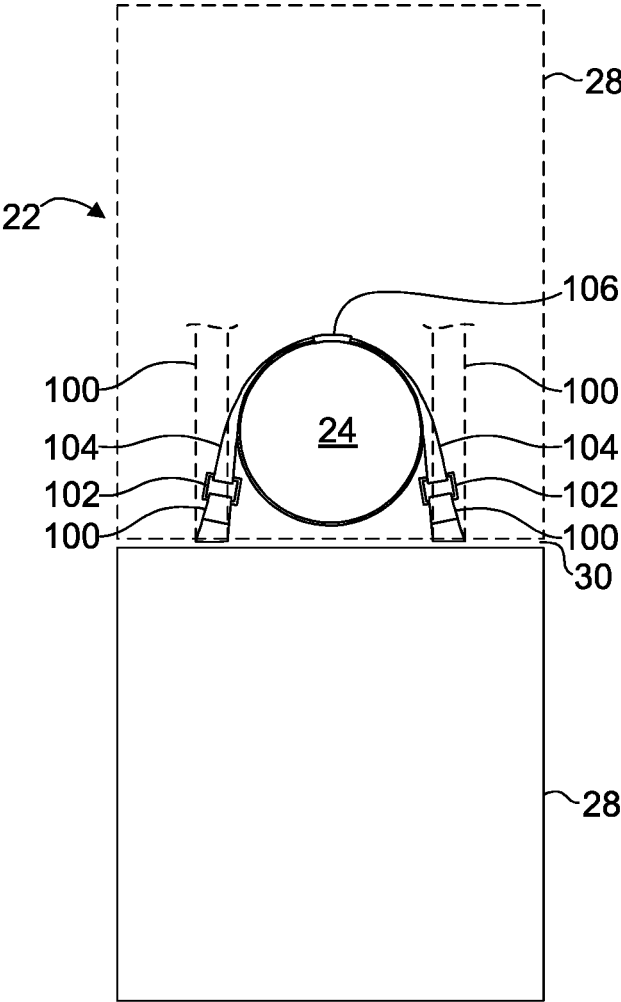
**FIG. 6**







**FIG. 8**



**FIG. 9**

1

## OPERATING TABLE PATIENT POSITIONER AND METHOD

### PRIORITY CLAIM AND RELATED APPLICATIONS

This continuation application claims the benefit of priority from provisional application U.S. Ser. No. 61/215,169 filed May 4, 2009 and U.S. Ser. No. 12/722,610 filed Mar. 12, 2010. Each of said applications is incorporated by reference in its entirety.

### BACKGROUND OF THE INVENTION

#### 1. The Field of the Invention

The present invention is directed generally to surgical aid devices, and more particularly, to a patient positioner for maintaining a patient's position while placed atop an operating table in the Trendelenburg, supine, left or right tilt and lithotomy positions.

#### 2. Background Art

Briefly, there are many devices and methods known in the art for maintaining a patient's position on an operating table during an operation. After the patient is positioned on an operating table, the tilt angle and height of the operating table is generally adjusted to facilitate the operating crew's access to a surgical site or to gravitationally move organs out of the way such as in the case of a laparoscopy procedure. When the operating table is tilted in the lengthwise or widthwise direction, the operating crew runs the risk of causing the patient to slide longitudinally, roll laterally or otherwise undesirably change his/her position. A corrective action is then required to move the patient to a position or orientation favorable for access. Such action can be tedious, time-consuming and especially hazardous if the surgical operation is well in progress.

It is a common practice to position a pair of cushioned pads in abutment with the shoulders to prevent the patient from sliding toward the head end of the operating table when the patient is laid flat on the back with the feet higher than the head (known as the Trendelenburg position). In some cases, additional devices are used in conjunction with the shoulder cushion pads to aid in securing a patient in the Trendelenburg position. U.S. Pat. No. 6,622,324 discloses the use of padded hip braces to support a patient by the hip in conjunction with a pair of shoulder pads in the Trendelenburg position where a brace is disposed on each side of the waist, above the hips. The padding provided on such devices is generally minimal compared to the weight exerted on them, thereby causing significant pressure to develop in the patient's body parts that come in contact with the pads. For instance, prolonged contact of a patient's shoulders and waist with the pads in the Trendelenburg position can significantly increase the likelihood of the patient developing bruising or nerve damage due to pressure points in the shoulders and waist.

It is also a common practice to use a second combination of apparatus to maintain a patient in the Trendelenburg position. A generally rectangular draw sheet is first disposed atop an operating table, substantially in alignment with the lengthwise and widthwise direction of the operating table. A patient is then positioned atop the draw sheet and a foam pad is placed under each arm to cradle the arm. The draw sheet is then drawn taut, making sure that there is sufficient sheet area adjacent to the arms such that each lateral side of the sheet can be brought from under a padded arm around and over the padded arm and eventually tucked under the patient's torso. While not secured to the operating table or other structure, the draw sheet used in this manner is believed to provide addi-

2

tional restraining value of the patient to the operating table and protection to the arms. However, the draw sheet is not specifically configured for such an application and lends itself to improper usage. Often times, wrinkles are formed with an improperly sized or positioned draw sheet. When a draw sheet is tucked under a patient's torso, pressure points can develop on the back and in parts of the arms especially near a joint area such as the armpit or the elbow. A foam pad is then placed over the patient's chest before two large belts are placed criss-cross over the foam pad, such that their ends are secured to the side rails of the operating table in an attempt to compress the foam pad and secure the patient to the operating table.

There are several drawbacks associated with using belt tension alone to secure a patient by the chest and tucking the side edges of a draw sheet over the arms and under the patient's torso in an attempt to maintain the patient in the Trendelenburg position. Conventional wisdom teaches that in order to prevent downward sliding of a patient with tension exerted at right angle to the direction of slide, one must apply a significant amount of tension in the belts to create sufficient friction between the belts and the foam pad and hence the patient. However, applying a large amount of pressure on the chest can cause pressure points to develop in the chest, and in certain cases, this causes difficulty in breathing. Failing to apply sufficient tension in the belts results in insufficient friction to retain the patient in the Trendelenburg position.

U.S. Pat. Pub. No. 20090090370 discloses a patient restraint system for preventing a patient's shoulders from rising or "shrugging" during a medical procedure. The patient lies on a table and wears a jacket. A number of straps are used to couple the jacket to the table. Each strap has a first end and a second end. The first end of each strap is coupled to the jacket and the second end of each strap is coupled to the table. The straps have sufficient tension to prevent the patient's shoulders from rising or "shrugging" during the medical procedure. The patient's feet rest on a foot plate to prevent the patient from sliding toward the foot of the table due to the force exerted on the patient's shoulders because of the tension of the straps. Even though the foregoing disclosure provides a system capable of being used to restrain a patient, it is not suitable for use with a surgical procedure which requires abdominal and lower body access for the surgical crew.

In view of the foregoing drawing drawbacks, there exists a need for a safe and effective operating table patient positioner capable of maintaining a patient's position with respect to the operating table, which once deployed, allows unobstructed access to the patient's abdominal and lower body while the patient is positioned in the Trendelenburg, supine, left or right tilt or lithotomy positions.

### SUMMARY OF THE INVENTION

In accordance with the present invention, there is provided an operating table patient positioner for maintaining a patient's position during a medical procedure such that the entire lower body and abdomen are accessible. A conventional operating table has side rails, a break and a support base. The patient positioner includes a generally rectangular body anchoring portion having a longitudinally disposed head and tail ends and two transversely disposed opposing side ends. There is provided a pair of spaced apart chest straps, each strap extending substantially longitudinally from the head end of the body anchoring portion. There is also provided a pair of spaced apart support base straps, each strap extending substantially longitudinally from the tail end of the body anchoring portion, a pair of upper arm straps, each strap

3

extending substantially transversely from one side end of the body anchoring portion and disposed substantially on the head end of the body anchoring portion. There is also provided a pair of wrist straps, each strap extending substantially transversely from one side end of the body anchoring portion and disposed substantially on the tail end of the body anchoring portion. A generally rectangular substrate backing having a longitudinally disposed head and tail ends and two transversely disposed opposing side ends is disposed substantially concentrically on and fixedly attached to the body anchoring portion.

A hook portion is disposed substantially on the free end of the first support base strap while a loop portion is disposed substantially on the free end of the second support base strap. Each chest, upper arm or wrist strap comprises a complementary set of hook and loop fastening portions disposed substantially on its free end.

In a preferred embodiment, each upper arm strap or wrist strap further comprises a reduced width free end. The portion of the straps that is not directly used to exert downward pressure or coming contact with the padded arms is reduced in size. Frequently during a surgical procedure, the space available on the side rails is limited as there may be stirrups, anesthesia screen or other attachments competing for space on the side rails. Reduced width straps facilitates anchoring of the same on such side rails.

In use, the present operating table patient positioner is placed atop a section of an operating table, preferably the section where the upper torso of a patient is to be positioned, such that the tail end of its substrate backing is adjacent a break in the operating table. A patient is then positioned over the patient positioner such that the upper arm straps and the wrist straps are substantially lined up with the upper arms and forearms of the patient. A substantially rectangular arm support foam is placed under each of the patient's arms and a chest and shoulder support foam shaped to provide support to the chest and shoulders is placed over the chest and shoulders of the patient. Each side end of the substrate backing is wrapped around and over the exterior surface of the arm support foam. The upper arm and wrist straps and their corresponding reduced width free ends are then disposed over the wrapped arms and secured to the side rails of the operating table, thereby securing the arms while leaving the lower body and abdomen of the patient clear of any obstructions. The upper arm and wrist straps are preferably sufficiently large such that they provide sufficient gripping surfaces on the substrate backing as it is supported by its underlying arm support foam. Each of the chest straps is brought from under the patient over a shoulder and the chest protected by the chest and shoulder support foam and secured to a side rail on the opposing side of the chest strap. When installed, the chest straps form a criss-cross configuration over the chest area, exerting slight compression on the chest and shoulder support foam, thereby securing the patient to the operating table.

In one embodiment, the straps and substrate backing are generally made of launderable garment. In a preferred embodiment, the substrate backing is made of a woven drapery netting fabric. The straps are preferably made of webbing or other non-elastic materials.

In another embodiment of the present invention, there is further provided an integral drape capable of covering the entire operating table surface on which a patient is positioned. In this embodiment, the straps, substrate backing and drape are made of a disposable material.

It is a primary object of the present invention to provide a patient positioner that is effective in maintaining a patient's

4

position while placed atop an operating table in the Trendelenburg, supine, left or right tilt and lithotomy positions.

It is another object of the present invention to provide a patient positioner that is capable of being deployed easily and with high likelihood of success.

It is yet another object of the present invention to provide a patient positioner that is low cost, simple to manufacture and fabricable using conventional textile technology.

It is a further object of the present invention to provide a patient positioner that is less obtrusive than conventional cushion pad type applications such that the lower body and abdomen are fully accessible.

It is a further object of the present invention to provide a patient positioner that is safe to use and does not cause nerve damage or other negative effects in the patient.

It is a further object of the present invention to provide a patient positioner that is applicable to patients of varying builds and sizes.

Whereas there may be many embodiments of the present invention, each embodiment may meet one or more of the foregoing recited objects in any combination. It is not intended that each embodiment will necessarily meet each objective. Thus, having broadly outlined the more important features of the present invention in order that the detailed description thereof may be better understood, and that the present contribution to the art may be better appreciated, there are, of course, additional features of the present invention that will be described herein and will form a part of the subject matter of this specification and claims. Also it is to be understood that the phraseology and terminology employed herein are for the purpose of description and should not be regarded as limiting.

#### BRIEF DESCRIPTION OF THE DRAWINGS

In order that the manner in which the above-recited and other advantages and objects of the invention are obtained, a more particular description of the invention briefly described above will be rendered by reference to specific embodiments thereof which are illustrated in the appended drawings. Understanding that these drawings depict only typical embodiments of the invention and are not therefore to be considered to be limiting of its scope, the invention will be described and explained with additional specificity and detail through the use of the accompanying drawings in which:

FIG. 1 is a side orthogonal view of a prior art patient positioner being used to support at the shoulder, a patient placed in the Trendelenburg position.

FIG. 1A is a front orthogonal view of a prior art patient positioner being used to support at the chest and arms, a patient placed in the Trendelenburg position.

FIG. 2 is a front orthogonal view of one embodiment of the present invention.

FIG. 3 is a partially transparent front orthogonal view of one embodiment of the present invention illustrating the relative position of a patient positioner of FIG. 2 with respect to the placement of a patient and additional positioner aid.

FIG. 4 is a partially transparent front perspective view of one embodiment of the present invention illustrating its use on a patient placed in the Trendelenburg position.

FIG. 5 is an orthogonal sectional view taken along line AA of FIG. 4 illustrating the relative position of an upper arm strap with respect to the placement of a substrate backing and arm support foam while in use.

FIG. 6 is a partially transparent side orthogonal view of one embodiment of the present invention illustrating its use on a patient placed in the Trendelenburg position.

5

FIG. 7 is a partially transparent front orthogonal view of one embodiment of the present invention.

FIG. 8 is a partially transparent front orthogonal view of one embodiment of the present invention.

FIG. 9 is a partially transparent front orthogonal view of one alternate embodiment of the support base straps in use.

The drawings are not to scale, in fact, some aspects have been emphasized for a better illustration and understanding of the written description.

## PARTS LIST

2—operating table patient positioner  
 4—body anchor portion  
 5—head end of body anchor portion  
 6—upper arm strap  
 7—tail end of body anchor portion  
 8—wrist strap  
 9—side (transverse) end of body anchor portion  
 10—chest strap  
 11—substrate backing  
 12—support base strap  
 13—attachment line  
 14—upper arm strap securing means  
 15—tail end relief  
 16—wrist strap securing means  
 17—head end relief  
 18—chest strap securing means  
 19—side (transverse) end of substrate backing  
 20—support base strap securing means  
 22—operating table  
 24—support base  
 26—side rail  
 28—operating table section  
 30—break between operating table sections  
 32—disposable positioner  
 33—another embodiment of disposable positioner  
 34—cuts for straps  
 38—drape  
 39—drape with cuts for straps  
 40—prior art patient positioner  
 42—cushioned pad  
 43—shoulder of patient  
 44—support structure  
 45—waist of patient  
 46—patient  
 47—upper arm of patient  
 48—length of chest strap  
 49—length of support base strap  
 50—length of upper arm strap  
 51—length of wrist strap  
 52—length of reduced upper arm strap  
 53—length of reduced wrist strap  
 54—distance between upper arm strap and wrist strap  
 55—distance between chest straps  
 56—distance between support base straps  
 57—width of chest strap  
 58—width of support base strap  
 59—width of upper arm strap  
 60—width of wrist strap  
 62—arm support foam  
 64—chest and shoulder support foam  
 66—arm  
 68—longitudinal dimension of substrate backing 11  
 70—transverse dimension of substrate backing 11  
 72—reduced upper arm strap  
 74—reduced wrist strap

6

76—chest of patient  
 78—shoulder of patient  
 80—forearm of patient  
 82—tendency of patient to slide off operating table  
 84—foam pad  
 86—belt  
 88—draw sheet  
 90—edge where draw sheet is tucked under the patient  
 92—prior art patient positioner  
 94—drape length  
 96—drape width  
 98—attachment line to secure substrate backing to a chest or support base strap  
 100—shortened support base strap  
 102—clasp securing one end of extender strap to one end of a shortened support base strap  
 104—extender strap  
 106—securing means of extender strap to support base

## DEFINITIONS OF TERMS USED IN THIS SPECIFICATION

The aforementioned flexible structure having a body anchoring portion, a substrate backing and a plurality of straps attached to the body anchoring portion adapted for maintaining a patient's position on an operating table shall have equivalent nomenclature including: the patient positioner, positioner, the operating table patient positioner, the present invention, or the invention. Also, the term rectangular is understood to include the case where all sides of the geometric shape are of equal length, also known as an equilateral rectangle or a square.

## PARTICULAR ADVANTAGES OF THE INVENTION

The present invention provides an operating table patient positioner that effectively secures a patient to an operating table in the Trendelenburg, left and right tilt, supine and lithotomy positions without causing bruising or nerve damage. In contrast to existing patient positioners where cushioned pads are utilized that can cause nerve damaging pressure points, the present invention provides a positioner that secures a patient via friction created over a substantially larger area afforded by a set of straps and a body anchoring portion and positive securement of the straps to the operating table. This provides sufficient retaining force to secure the patient while reducing the pressure created at smaller areas such as the joints.

In contrast to the patient positioner disclosed in U.S. Pat. No. 6,622,324 where both padded shoulder and hip braces are used to support a patient in the Trendelenburg position, the present invention provides a patient positioner that does not cause obstruction to access to the patient's lower body and abdomen while in use.

The present invention provides a patient positioner that is low cost, simple to manufacture and fabricable using conventional textile technology or with disposable materials.

## DETAILED DESCRIPTION OF A PREFERRED EMBODIMENT

Various devices have been adapted to support a patient 46 positioned on an operating table 22. FIG. 1 is a side orthogonal view of a prior art device being used to support a patient 46 placed in the Trendelenburg position (feet elevated higher than the head). Support is provided at the patient's shoulders.

7

Patient slipping occurs while the operating table **22** is adjusted in various angles, however, problems associated with patient movement are most pronounced in the Trendelenburg position. In the patient position depicted in FIG. 1, if unrestricted by the prior art device **40**, the patient will most likely start sliding down toward the head even when positioned with the slightest grade. The prior art device **40** has a pair of cushioned pads **42**, each supported on a support structure **44** which is in turn fixedly attached to a sturdy structure such as a side rail **26** of the operating table **22**. In use, the cushioned pads are brought into abutment with the patient's **46** shoulders to prevent the patient from sliding down. If left or right tilt is expected or if additional restraint is desired, a cushioned pad can additionally be positioned against each side of the patient's waist **45** to restrict the patient's lengthwise and lateral slide or lateral roll movements.

If the patient is positioned such that he/she is expected to inadvertently slide down toward the feet (in the reverse Trendelenburg position), a common practice is to position a restraint in the form of a flat foot plate at the feet of the patient to curb such a movement.

Thus, prior art common practice uses one set of individual and dedicated positioners to restrict patient movement in one particular direction. In accordance with the prior art, if the patient is to be positioned such that sliding is restricted in the Trendelenburg, reverse Trendelenburg, or left and right tilt positions, all three sets of aforementioned devices would be required. If access is required in the lower body or abdomen, the positioner disposed at the waist or the positioner disposed at the feet may pose a challenge to overcome and be a physical obstruction. During a given medical procedure, a patient is routinely moved through the various aforementioned positions.

The step of dismantling a patient positioner to allow access during a medical procedure is time-consuming, distracting and highly undesirable.

A more serious problem is associated with the use of prior art cushioned pads on the shoulders. A prolonged exposure to the cushioned pads in the Trendelenburg position can cause bruising and/or nerve lesion to develop in the patient's shoulders due to elevated pressure from the patient's own weight as it is exerted at the shoulders. A similar hazard can develop in the waist if the patient is tilted to one side at an angle sufficiently severe to develop high pressure in the waist. There exists a need for a positioner that is capable of maintaining a patient in the Trendelenburg, left and right tilt, supine and lithotomy positions while allowing access to the lower body and abdomen and without causing such nerve injury in the patient.

FIG. 1A is a top orthogonal view of another prior art device **92** being used to support a patient placed in the Trendelenburg position. This device provides support at the chest and arms. A draw sheet **88** is placed under the patient's torso and a foam pad is placed under each of the patient's arms **66**. The transverse side edges of the draw sheet **88** are then brought around and over the foam pad-protected arms and tucked under the patient's torso at the edge indicated as **90** on FIG. 1A. A foam pad **84** sized to cover substantially the chest area is then positioned over the patient's chest in the criss-cross fashion. Two large belts **86** are then provided to secure the foam pad down on the patient's chest. Each of the belts has two ends, wherein an attaching means is disposed on each end. In this example, each end of each of the belts is secured to the side rails (not visible) located at the bottom periphery of the operating table **22**. As previously described, this device and method presents a risk of nerve damage at pressure points created by body orientation during the medical procedure.

8

FIG. 2 is a front orthogonal view of one embodiment of the present invention illustrating an operating table patient positioner **2** in its unfurled and spread out configuration. The positioner **2** comprises a generally rectangular body anchoring portion **4** having longitudinally disposed head **5** and tail **7** ends and two transversely disposed side ends **9**. The positioner **2** is placeable atop an operating table during use. In the ensuing description, the orientation of the positioner **2** and other parts of the positioner **2** will be referenced to the orientation of the body anchoring portion **4**.

Four pairs of straps cooperate to secure the patient on the operating table: chest straps **10**, base support straps **12**, upper arm straps **6** and wrist straps **8**. The pair of chest straps **10** are spaced apart, extending outwardly from the head end of the body anchoring portion **4** and disposed substantially longitudinally of the patient positioner **2**. The pair of spaced apart support base straps **12** extends outwardly from the tail end of the body anchoring portion **4** and is also disposed substantially longitudinally of the patient positioner **2**. Each of the upper arm straps **6** extends outwardly from one side end **9** of the body anchoring portion **4** and is disposed substantially transversely of the patient positioner **2** and substantially adjacent the chest straps **10**. Each of the wrist straps **8** extends outwardly from each side end **9** of the body anchoring portion **4** and is disposed substantially transversely of the patient positioner **2** and substantially adjacent the support base straps **12**.

There is further provided a substrate backing **11** that is fixedly attached to the body anchoring portion **4** substantially at its outer periphery at attachment lines **13**. The substrate backing **11** is a generally rectangular fabric disposed concentrically with the body anchoring portion **4**. First and second longitudinally disposed semi-circular cutouts **17**, **15** are made in the head **5** and the tail **7** ends of the substrate backing **11**, respectively, to facilitate positioning and adjustment of the two transversely disposed side ends **19** of the substrate backing **11** over the arms of a user while in use and allow the use of the positioner on varying sized patients. In addition, the second cutout **15** functions to reduce possible contact with surgical contamination at the lower body or abdomen which is particularly important for a reusable patient positioner. The cutouts **15**, **17** also reduce material costs. As will be readily appreciated, cutouts **15**, **17** may be formed in various shapes and dimensions.

The dimensions of the substrate backing **11** are configured such that the longitudinal **68** and transverse **70** dimensions are sufficient to provide coverage and support to the upper arm **6** and wrist straps **8**. In a preferred embodiment, each chest strap **10** is connected to a support base strap **12** and is integrally constructed as a single strap. In a similar manner, the two upper arm straps **6** are integrally joined together and constructed as a single strap. In a similar manner, the two wrist straps **8** are also joined together and constructed of a single strap. In a preferred embodiment, the chest **10**, support base **12**, upper arm **6** and wrist straps **8** are fixedly attached (for example via stitching or adhesive) at attachment lines **13** where the straps cross one another. The attachment lines **13** are preferably disposed on the inner edges of the chest/support base straps **10**, **12** to allow more flexibility in the range of motion on the upper arm and wrist straps **6**, **8**. The substrate backing **11** is secured to the body anchoring portion **4** at attachment lines **13** and attachment lines **98** disposed substantially at the longitudinal periphery of the substrate backing **11** and on the inner edges of the chest/support base straps **10**, **12**.

In one embodiment, the straps **6**, **8**, **10**, **12** and substrate backing **11** are constructed from a launderable material capable of being reused repeatedly. In other aspects, the positioner **2** is disposable.

In the preferred embodiment as depicted, the upper arm **6** and the wrist **8** straps are terminated with strap portions of reduced width **72**, **74** at the free ends. As will be appreciated, the upper arm **6** and wrist straps **8** do not have to be terminated with reduced widths. In one embodiment not shown, the upper arm **6** and wrist **8** straps are constructed of straps of constant width throughout their length. There is further provided a complementary hook and loop attaching means on the free end of each of the chest **10**, reduced width upper arm strap portion **72** and reduced width wrist strap portion **74** such that a loop can be formed at each of the free ends for securing the patient positioner **2** to an operating table. The length of the chest straps **48** preferably ranges from 65 to 70 inches while the width **57** preferably ranges from 3 to 5 inches.

The length of the support base straps **49** preferably ranges from 44 to 48 inches while the width **58** preferably ranges from 3 to 5 inches. The dimensions **50**, **52**, **59** of the upper arm straps and the reduced width upper arm strap portions are preferably substantially similar to the dimensions **51**, **53**, **60** of the wrist straps and the reduced width wrist strap portions, respectively. The length of the upper arm straps **50** preferably ranges from 12 to 19 inches while the width **59** preferably ranges from 2 to 4 inches. The length of the strap portions with reduced width **52** preferably ranges from 14 to 18 inches. The chest straps are preferably spaced apart a distance **55** ranging from 7 to 10 inches. The support base straps are preferably spaced apart a distance **56** ranging from 7 to 10 inches. The upper arm and wrist straps are preferably spaced apart a distance **54** ranging from 6 to 8 inches. The longitudinal dimension of the support backing **68** preferably ranges from 24 to 36 inches while the transverse dimension of the support backing **70** preferably ranges from 27 to 40 inches.

FIG. 3 is a partially transparent front orthogonal view of one embodiment of the present invention illustrating the relative position of a positioner **2** of FIG. 2 with respect to the placement of a patient and additional positioner aids such as arm supports and chest and shoulders foam pads. In use, a positioner **2** is placed on an operating table **22** having two sections **28** with the longitudinal axis defined as substantially parallel to the operating table's lengthwise direction. A patient **46** is then positioned on top of the patient positioner **2** such that the torso is placed over the body anchoring portion **4**, effectively anchoring the positioner **2** to the operating table **22**. The patient **46** is also positioned such that the patient's upper arms **47** are substantially lined up with the upper arm straps **6** and the patient's forearms **80** are substantially lined up with the wrist straps **8**. A substantially rectangular arm support foam **62** is placed under each patient's arm **66** and a chest and shoulder support foam **64** shaped to provide support to the chest and shoulders is placed over the chest **76** and shoulders **78** of the patient **46**. In use, the body anchoring portion **4** of the patient positioner **2** is preferably placed entirely on one section **28** of the operating table **22** leaving the break **30** between the two sections **28** close to but not covered by the tail end **7** of the body anchoring portion **4**.

FIG. 4 is a partially transparent front perspective view of one embodiment of the present invention illustrating its use on a patient placed in the Trendelenburg position. The operating table **22** is made up of two sections **28** forming a break **30** therebetween and a side rail **26** disposed substantially at the longitudinal bottom periphery of each section. One or both sections **28** are directly supported on a support base **24**. It is to be understood that the positioner **2** is capable of being

used on other types of operating tables, provided that the straps **10**, **12**, **6**, **8**, **72**, **74** are sufficiently long and able to form securing loops around the equivalent support structure.

Prior to deploying a patient positioner **2**, the operating table **22** is brought to a level configuration to prevent gravitational tendency from causing the patient positioner **2** or patient **46** to roll off the operating table **22**. First, a patient positioner **2** is placed atop a section **28**, preferably the section **28** where the upper torso of a patient **46** is to be positioned such that the tail end of its body anchoring portion **4** comes close to but not over the break **30**. A patient **46** is then positioned over the positioner **2** such that the upper arm straps **6** and the wrist straps **8** are substantially lined up with the upper arms and forearms of the patient **46**. A substantially rectangular arm support foam **62** is placed under each of the patient's arms **66**. A chest and shoulder support foam **64** shaped to provide support to the chest and shoulders is placed over the chest **76** and shoulders **78** of the patient **46**. In FIG. 5, a cutaway view is provided to illustrate how an upper arm strap **6** is used in conjunction with the substrate backing **11** and arm support foam **62** to secure a part of a patient to an operating table **22**.

FIG. 5 is an orthogonal sectional view taken along line AA of FIG. 4 illustrating the relative position of an upper arm strap **6** with respect to the placement of the substrate backing **11** and arm support foam **62** while in use. As depicted, a portion of a patient **46** is positioned on top of a portion of the positioner, i.e., an upper arm strap **6** and part of the substrate backing **11**. An arm support foam **62** is wrapped around the arm **66** at the upper arm, substantially covering the entire circumference of the arm **66** in order to cradle the arm **66**. One side end of the substrate backing **11** is then wrapped around and over the exterior surface of the arm support foam **62**. A reduced width upper arm strap portion **72** is pulled through the gap between the patient **22** and his/her arm **66** and wrapped over the arm **66** and eventually pulled through a gap made between the operating table **22** and the side rail **26** to form a loop around the side rail **26** and secured using attaching means **14**. As depicted, hook and loop fastening portions are used.

Referring to FIGS. 4 and 5, each side end of the substrate backing **11** is shown wrapped around and over the outside of the arm support foam **62** and the upper arm and wrist straps **6**, **8** and their corresponding reduced width end portions **72**, **74** are disposed over the arms and secured to the side rails of a section **28**, thereby securing the arms while leaving the lower body of the patient clear of any obstructions. The upper arm and wrist straps **6**, **8** are preferably configured sufficiently large such that they provide sufficient grip on the substrate backing **11** as it is supported by its underlying arm support foam **62**. Each of the chest straps **10** is brought from under the patient **46** over a shoulder **78** and the chest **76** protected by the chest and shoulder support foam **64** and secured to a side rail **26** on the opposing side of the chest strap **10**. When installed, the chest straps form a criss-cross across the chest area, exerting slight compression on the chest and shoulder support foam **64**, thereby securing the patient **46** to the operating table **22**. Unlike the cushioned pads **42** used in the prior art positioner **40**, the novel straps **10**, **6**, **8** provided by the present invention enable the patient to be secured using friction effected over a wider area across the chest and arm surfaces, thereby eliminating pressure points experienced with prior art cushioned pads. The chest, reduced width upper arm and wrist strap portions **10**, **72**, **74** comprise securing means **18**, **14**, **16** at their free ends respectively. In a preferred embodiment, each of the securing means **18**, **14**, **16** comprises hook and loop fastening portions. Alternatively, each strap may be secured to the side rail **26** by tying its free end to the side rail



11

26. In contrast to the prior art positioner disclosed in FIG. 1A, the present invention provides enhanced grip by having a significantly larger contact area between the patient and the positioner due to the increased surface areas afforded by the support base straps, upper arm, wrist and chest straps, secure-  
5 ment of the upper arm, wrist and chest straps to the operating table at the side rails and a positive securement at the support base straps. In addition, the present invention includes a pair of chest straps that are brought around and over the shoulders which further provides securement of the patient.

FIG. 6 is a partially transparent side orthogonal view of one embodiment of the present invention illustrating its use on a patient placed in the Trendelenburg position. Referring to FIGS. 4, 5 and 6, each of the support base straps 12 is slid through the break 30 in the operating table 22 and passed around from opposite directions and secured around the support base 24 underneath the operating table 22 in a manner such that the tendency for the patient 46 to slide down head first is partially prevented by tension exerted in the support base straps 12. In a preferred embodiment, the support base straps 12 are secured by means of attaching the two support base straps 12 together using a hook portion disposed on a first support base strap 12 and a loop portion disposed on a second support base strap 12. It is understood that other securing means may be used, provided that the support base straps 12 are secured such that the tendency for the patient 46 to slide down toward the head is prevented. When used on an operating table without a break 30 between sections 28, the support base straps 12 may alternatively be secured by tying each strap 12 to a side rail 26. In this latter case, the support base straps 12 may also be intermediately secured to side rail 26 leaving the free ends to be wrapped from opposite directions and secured around the support base 24.

In view of the foregoing descriptions, it is apparent that the patient's tendency to slide off of the head end of the operating table as indicated by arrow 82 is curtailed by providing the present novel patient positioner having greater patient engaging surfaces. The present novel patient positioner provides benefits in many areas. By having all of the straps fixedly attached as a single unit, all patient contacting surfaces are connected together and cooperate to provide sufficient friction to retain the patient in the Trendelenburg position. Since the effective contact area between the patient 46 and the positioner 2 is large, the potential to develop pressure points in the patient 46 is greatly reduced or eliminated. An added benefit of having multiple straps connected as a single unit is in the fail safe aspect of the patient positioner 2. In circumstances where one or more straps become detached during use, there are remaining straps which are still secured to the operating table. In contrast to the practice of using only two straps secured over the chest area of a patient, the present patient positioner provides a positive securement of the positioner and the patient by securing the positioner 2 around the support base 24 with the support base straps 12 of the operating in the direction opposing the tendency to slide.

FIG. 7 is a partially transparent front orthogonal view of an alternate embodiment of the present invention. In this embodiment, the positioner 32 is made from a disposable material comprising an additional drape 38, wherein the drape 38 is a generally rectangular sheet disposed substantially concentrically with the body anchoring portion 4. The relative positioning and sizes of all of the straps 10, 12, 6, 8, 72, 74, substrate backing 11 and the body anchoring portion 4 and attachment lines 13, 98 are substantially similar to the positioner 2 disclosed in FIG. 2. The positioner 32 is constructed by first laying down a drape 38, followed by a pair of unitary chest/support base straps 10, 12, a substrate backing

12

11 and lastly a pair of unitary upper arm 6 and wrist straps 8 and their corresponding reduced width free ends 72, 74. All layers are then fixedly attached at attachment lines 13, 98 such that the flexibility of all of the straps 10, 12, 6, 8, 72, 74 and the side ends 19 of the substrate backing 11 is unimpeded. The length 94 of the drape 38 preferably ranges from 55 to 65 inches while the width 96 of the drape 38 preferably ranges from 35 to 45 inches. In use, the drape 38 provides protection to an operating table on which a patient is positioned negating the necessity of providing a separate drape underneath a positioner 32, thereby simplifying room preparation.

FIG. 8 is a partially transparent front orthogonal view of an alternate embodiment of the patient positioner 32 disclosed in FIG. 7. In this embodiment, the positioner 33 is made from a disposable material comprising also an additional drape 39, wherein the drape 39 is a generally rectangular sheet having a cut 34 made for each strap 10, 12, 6, 8 and each cut 34 is positioned substantially at right angle to and at the root of each strap where each strap is attached to the body anchoring portion 4. Each strap 10, 12, 6, 8 is routed through the opening created by each of the cuts 34 and pulled taut before it is secured to the drape 39 at attachment lines 98 and 13 such that the positioner 33 is disposed substantially concentrically with the body anchoring portion 4 and further strengthened. The length 94 of the drape 39 preferably ranges from 55 to 65 inches while the width 96 of the drape 39 preferably ranges from 35 to 45 inches. In use, the drape 39 provides protection to an operating table on which a patient is positioned negating the necessity of providing a separate drape underneath a positioner 33, thereby simplifying room preparation.

FIG. 9 is a partially transparent front orthogonal view of one alternate embodiment of the support base straps in use with the patient and other parts of the positioner removed for clarity. In this embodiment, each support base strap 100 is a shortened strap with a preferred length ranging from 6 to 25 inches. In this embodiment, a complementary set of hook and loop fastening portions is disposed substantially on the free end of each support base strap 12. An additional support base strap, hereinafter referred to as extender strap 104, is provided to secure the free ends of the support base straps 12 to a support base 24 of an operating table 22. The extender strap 104 comprises a strap having two ends, each end being terminated with and fixedly secured to a clasp 102. As depicted in FIG. 9, the extender strap 104 is looped around and fixedly attached to the support base 24 via securing means 106. In one aspect, securing means 106 comprises stapling two portions of the looped extender strap 104 together, thereby securely disposing the clasped ends of the extender strap 104 at a desired height and location. It should be appreciated that there are various other equivalent ways to secure the extender strap 104 to the support base or an equivalent structure. Each support base strap 12 is slid through a break 30 in the operating table 22 with its free end looped through a clasp 102 such that the support base strap 12 is secured to the extender strap 104. The length of the extender strap 104 preferably ranges from 45 to 100 inches while the width preferably ranges from 2 to 3 inches. The extender strap 104 is preferably constructed of a non-elastic webbing material. Since the extender strap 104 does not come in direct contact with a patient or other contaminants such as surgical wastes, the extender strap 104 can be reused indefinitely. The use of such an extender strap 104 eliminates the necessity for having a surgical room preparation personnel crawl under the operating table 22 to secure the support base straps 12 per each use of the patient positioner. One further benefit of using this support base strap embodiment is the savings associated with a disposable patient positioner. A disposable positioner constructed with support base

13

straps of reduced length will yield savings in materials which would otherwise be discarded after single use.

Other Embodiments

In one embodiment not shown, the straps are constructed individually such that there are two separate chest straps, two separate support base straps, two separate upper arm straps and two separate wrist straps. In this embodiment, the body anchoring portion 4 is constructed of a separate rectangular sheet sufficiently strong to hold one end of each strap while the strap is placed under tension.

In yet another embodiment not shown, the upper arm and wrist straps have consistent widths across their entire lengths and do not comprise reduced width sections.

In yet another embodiment not shown, foam pads are functionally and operatively built into the straps, thereby eliminating the need to separately shape and form loose pieces of foam pads and secure them to be used in conjunction with the patient positioner.

It will be appreciated by those skilled in the art that while the invention has been described above in connection with particular embodiments the invention is not necessarily so limited and that numerous other embodiments, uses, modifications and departures from the embodiments, and uses may be made without departing from the inventive concepts.

The invention claimed is:

1. A method for maintaining a patient's position during a medical procedure that occurs while the patient is supported on an operating table, whereby the entire lower body and abdomen of the patient is accessible, said method comprising:

- (a) providing a patient positioner comprising:
  - a generally rectangular body anchoring portion having longitudinally disposed head and tail ends and two transversely disposed opposing side ends, placeable atop the operating table, said longitudinally disposed head and tail ends of said generally rectangular body anchoring portion defining a lengthwise direction;
  - a pair of spaced apart chest straps, each chest strap extending substantially in said lengthwise direction from said head end of said body anchoring portion to a free end and having a chest strap attaching means disposed on said free end of said each chest strap;
  - a pair of spaced apart support base straps, each support base strap extending substantially in said lengthwise direction from said tail end of said body anchoring portion to a free end and having a base strap attaching means disposed on said free end of said each support base strap;
  - a pair of upper arm straps, each upper arm strap extending substantially transversely from one of said two transversely disposed opposing side ends of said body anchoring portion to a free end and disposed substantially adjacent said head end of said body anchoring portion and having an upper arm strap attaching means disposed on said free end of said each upper arm strap;

14

a pair of wrist straps, each wrist strap extending substantially transversely from one of said two transversely disposed opposing side ends of said body anchoring portion to a free end and disposed substantially adjacent said tail end of said body anchoring portion and having a wrist strap attaching means disposed on said free end of said each wrist strap; and

a generally rectangular substrate backing having longitudinally disposed head and tail ends and two transversely disposed opposing side ends, said generally rectangular substrate backing is substantially concentrically disposed on said body anchoring portion and at least a portion of said generally rectangular substrate backing is fixedly attached to said body anchoring portion;

- (b) positioning said patient positioner on the operating table such that said tail end of said generally rectangular substrate backing is positioned generally about at middle of the operating table and each of said pair of wrist straps and each of said pair of upper arms straps is disposed on a transverse side of the operating table;
- (c) positioning the patient's torso on said generally rectangular body anchoring portion, wherein the patient is positioned in the supine position thereby creating two gaps, each between the patient's torso and each of the patient's arms;
- (d) positioning an arm support foam pad under each of the patient's arms and wrapping said arm support foam pad around said each of the patient's arms;
- (e) leading each of said pair of upper arm straps through each of said two gaps, transversely away from the patient's torso and over one of the patient's arms and securing the free end of each said upper arm strap to a side rail of the operating table;
- (f) leading each said wrist strap through said gap, transversely away from the patient's torso and over one of the patient's arms and securing the free end of each said wrist strap to a side rail of the operating table;
- (g) positioning a chest and shoulder support foam pad over the patient's chest and shoulders to minimize the potential for pressure points to develop in the patient's chest and shoulders by distributing pressure exerted by said chest straps over a larger area;
- (h) leading each of said pair of chest straps around and over the patient's shoulder and chest and securing the free end of each said chest strap to one of a pair of side rails disposed on opposing transverse side ends of the operating table; and
- (i) leading each of said support base straps through a break in the operating table that is disposed adjacent said tail end of said substrate backing, securing the free end of each of said pair of support base straps to each other such that a positive securement against the patient's longitudinal and transverse movement with respect to the operating table is achieved when the patient is placed in one of the Trendelenburg, left and right tilt, supine and lithotomy positions.

\* \* \* \* \*